

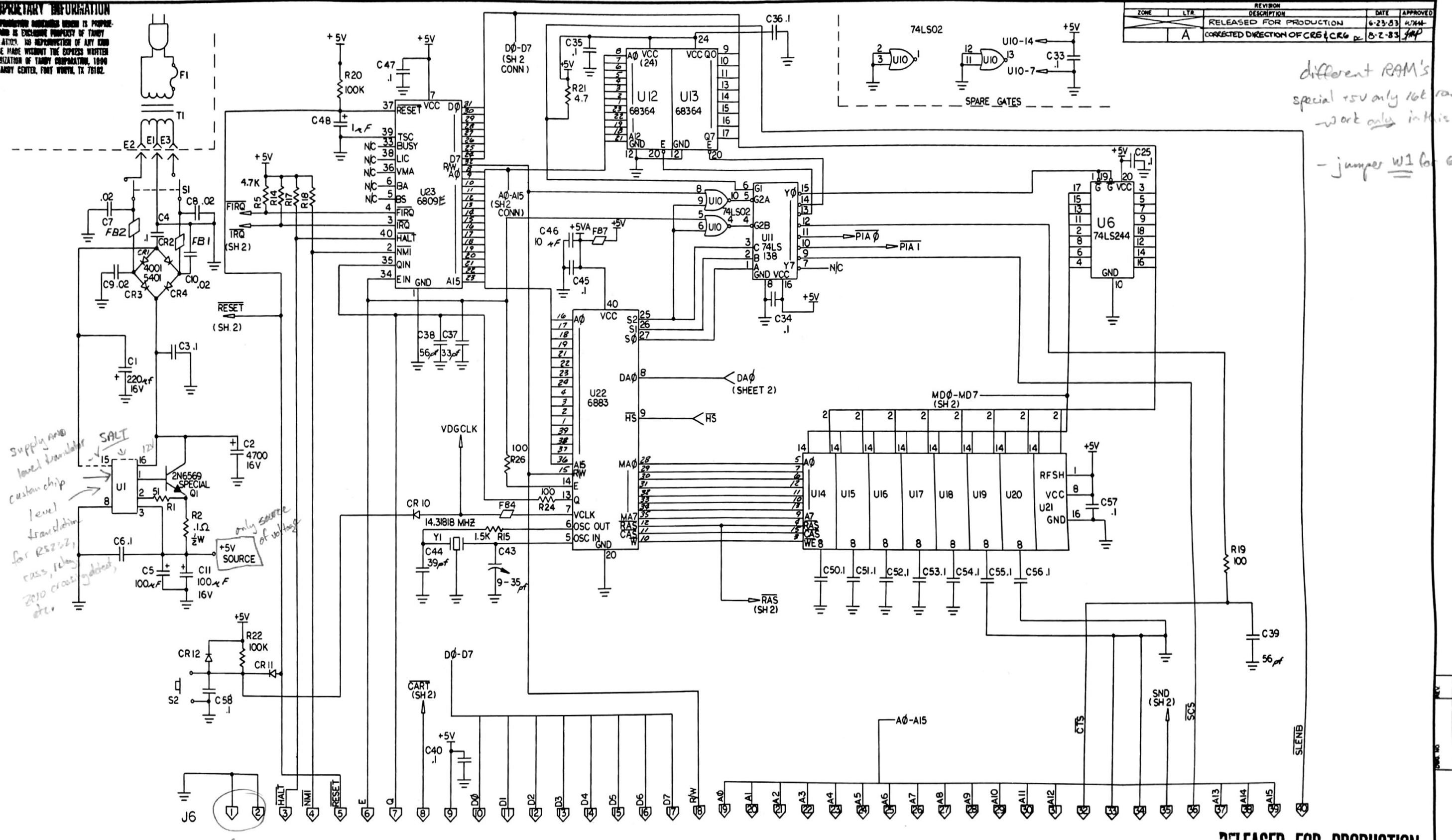
PROPRIETARY INFORMATION
 THE INFORMATION CONTAINED HEREIN IS PROPRIETARY AND IS EXCLUSIVE PROPERTY OF TANDY CORPORATION. NO REPRODUCTION OF ANY KIND MAY BE MADE WITHOUT THE EXPRESS WRITTEN AUTHORIZATION OF TANDY CORPORATION, 1900 TWO TANDY CENTER, FORT WORTH, TX 76102.

ZONE	LTR	REVISION DESCRIPTION	DATE	APPROVED
		RELEASED FOR PRODUCTION	6-23-83	WJH
A		CORRECTED DIRECTION OF CR6 & CR6	6-2-83	JMP

different RAM's
 special +5V only 166 RAM's
 work only in this computer.
 - jumper W1 for 64K.

Supply and level translator custom chip level translator for RS232, pass, relay 2010 circuit board, etc.

CCZ does not supply ±12V X-PAD, old FDC, will not work !!



RELEASED FOR PRODUCTION

REF: DRILL PLAN, 1700235, REV. -

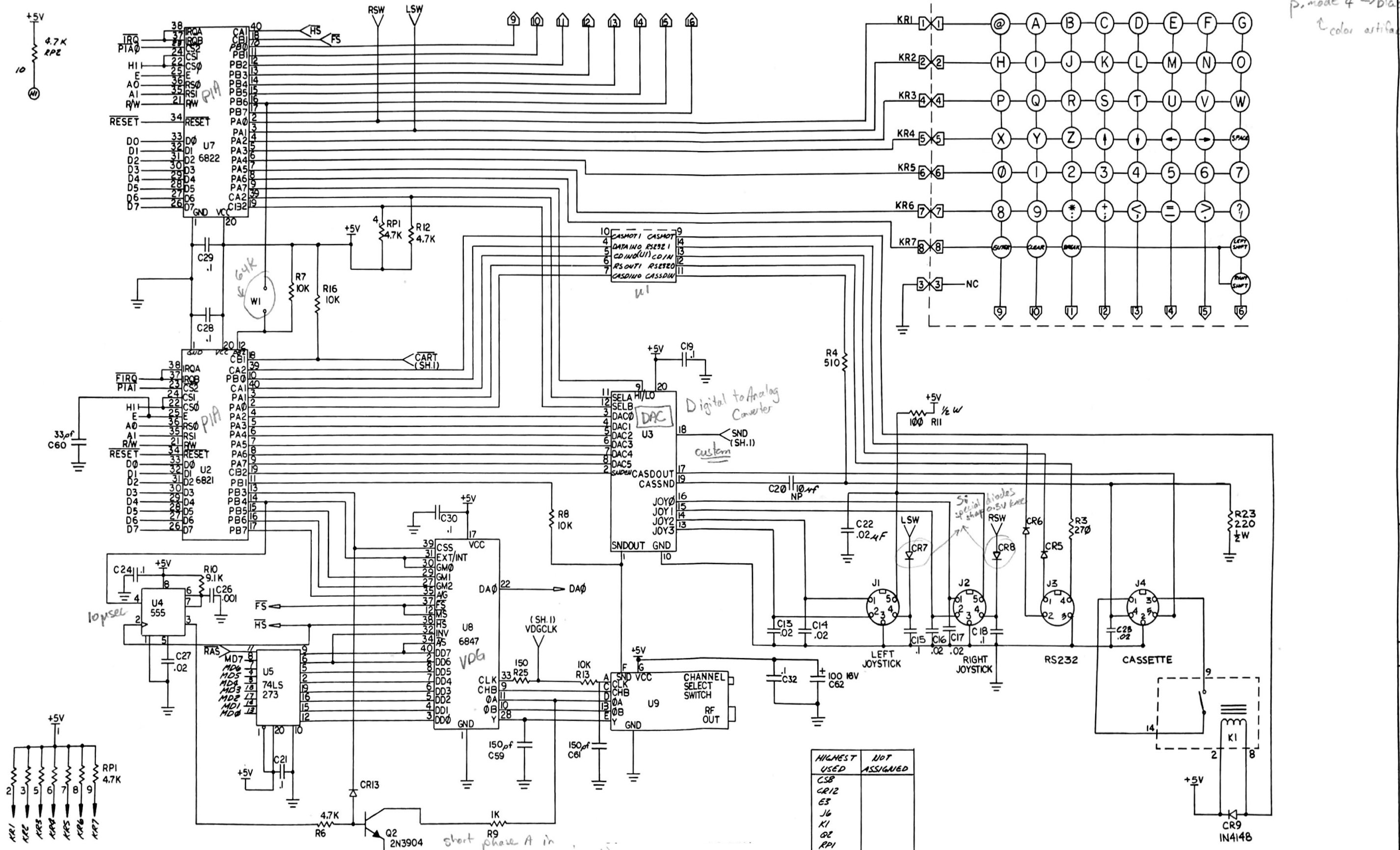
MATERIAL	UNLESS OTHERWISE SPECIFIED	DRAFT	DATE	TITLE
	TOLERANCES	HAHN	3-8-83	SCHEMATIC COLOR COMPUTER II
	.XX = ±.010 XXX = ±.005	CHECK	6/23/83	
	ANGLES = ±1°	DESIGN	6/23/83	
	HOLE DIA TOLERANCES	APPD	6/23/83	
	014 - 250 = +.005	APPD	6/23/83	
	251 - 750 = -.001	APPD	6/23/83	
	751 - UP = +.015	APPD	6/23/83	
	751 - UP = -.001			
	DIMENSIONS ARE IN INCHES AND APPLY AFTER PLATING		522	
	DO NOT SCALE THIS DRAWING	NEXT ASSY.	USED ON	

tandy

DWG NO.	SIZE
8000191	D
SCALE	OF
NTS	1 2

PROPRIETARY INFORMATION

THE INFORMATION CONTAINED HEREIN IS PROPRIETARY AND IS EXCLUSIVE PROPERTY OF TANDY CORPORATION. NO REPRODUCTION OF ANY KIND MAY BE MADE WITHOUT THE EXPRESS WRITTEN AUTHORIZATION OF TANDY CORPORATION, 1800 TWO TANDY CENTER, FORT WORTH, TX 76102.



*p. mode 4 → black & white
↑ color artifacting*

*Digital to Analog Converter
custom*

*short phase A in
p-mode 4 (black & white)
to produce black & white,
semi graphic 6 - may have problems.*

HILNEST USED	NOT ASSIGNED
CS8	
CR12	
E3	
J6	
K1	
Q2	
RPI	
R23	
S2	
U23	
W1	
Y1	

RELEASED FOR PRODUCTION